

REACH/REACH PLUS ALARM UNIT

Self Installation instructions

Please find enclosed your At-Home Alarm and Touch 2 Pendant.

All the equipment is ready to use (see below) and will be activated by following the instructions overleaf.

Supplied in the box...

At-Home Alarm



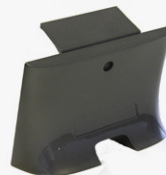
Touch 2 Pendant



Telecom Lead



Stand



AC Adapter with UK and EU Plugs



Wearing Kit



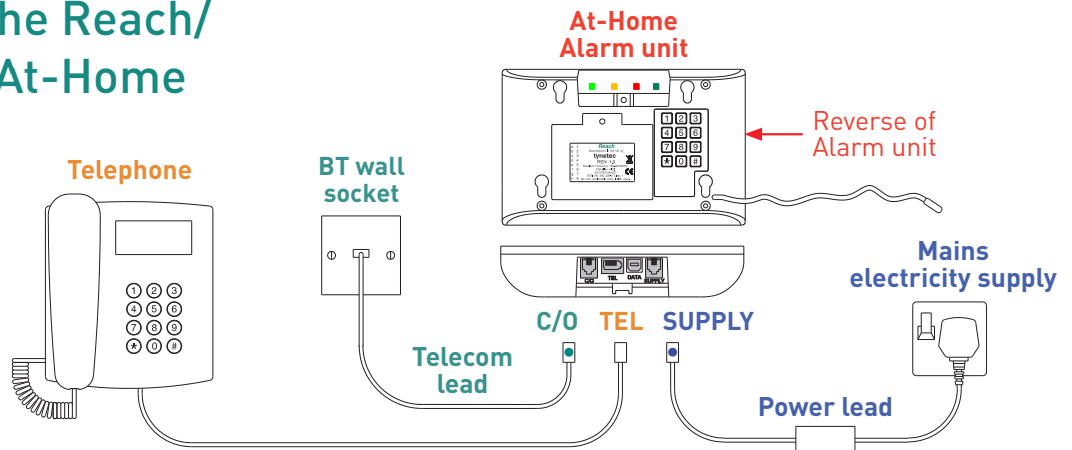
Connector Cover



Screw for
Stand/Cover

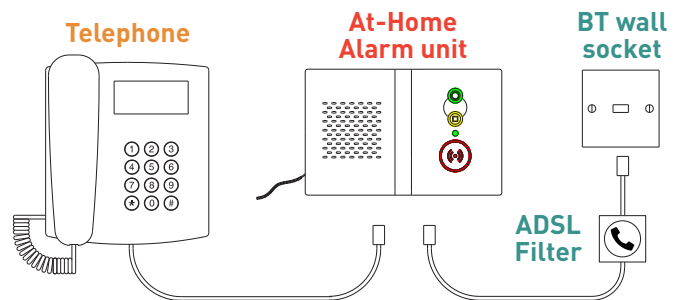


Setting-up the Reach/ Reach Plus At-Home Alarm unit



1 Unplug the **Telephone** from the **BT wall socket** and plug it into the **Alarm unit TEL** socket.

2 Connect the **Telecom lead** between the **Alarm unit C/O socket** and the **BT wall socket** where the telephone was originally plugged in. If you have broadband your service provider will supply an **ADSL Filter** module to plug into the telephone line. To connect the computer, telephone and Reach unit see diagram (right):



3 Place the **Alarm unit** close to the **BT wall socket** and an available **Mains electricity supply** (ideally without using an extension). Plug in the **Power lead** between the **Alarm unit SUPPLY** socket and the mains supply. Switch on and the front light will flash **RED/AMBER/GREEN** for about 12 seconds.



The status light will turn green once the unit has a signal. This may take up to 1 minute.

4 Test your Touch 2 Pendant from the furthest points in your home.

The **Alarm unit** will announce **“Please wait - dialing for assistance”** and you will be connected to your provider who will confirm you are all operational.



Simply press the **Touch 2 Pendant** button once.

The button will **FLASH RED ((•))** for several seconds to confirm a call is being made.

Making an Alarm Call from the Reach/Reach Plus unit

Press the large red button on the front of the unit and it will announce **“Please wait - dialing for assistance”** and the alarm call will be made.

